

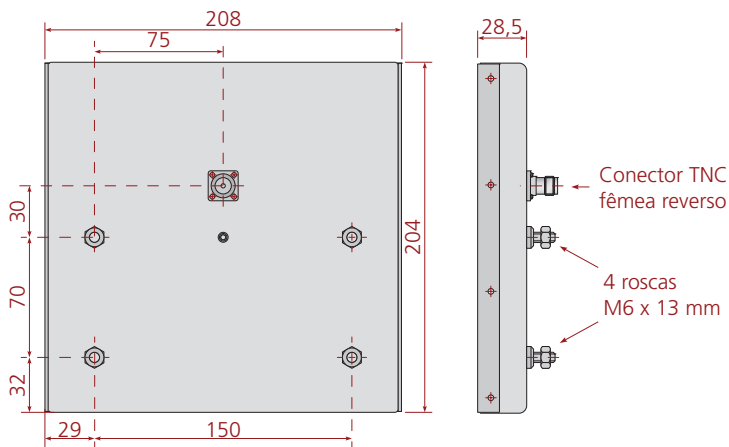


Monostatic UHF Antenna

The Monostatic UHF Antenna offers a great cost/benefit relation, and may be used indoors and outdoors, with metallic inox and aluminum parts. It may be used with any ACURA RFID UHF reader which uses monostatic antennas.

Purchase Code: 100.098

• Dimensions [mm]



• Irradiação

Diagrama de irradiação horizontal a 915 MHz

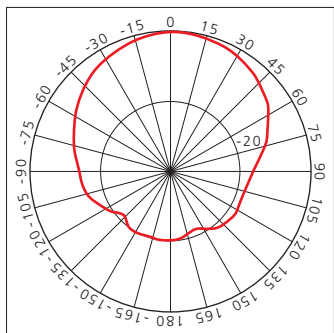
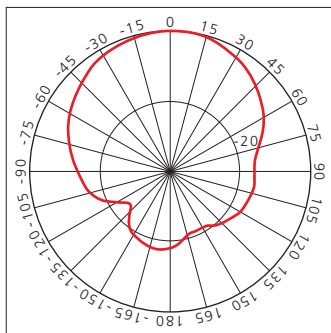


Diagrama de irradiação vertical a 915 MHz



• Technical Specifications

Electrical specifications

Frequency range	902-928 MHz
Gain	6 dBi (max.)
VSWR	1,3:1 (typical), 1,5:1 (max.)
Beam opening at 3dBm	77° (horizontal), 72° (vertical)
Polarization	LHCP (circular)
Axial Ratio	902-928 MHz @ 3,5 dB (max.)
F/B Ratio	-14 dB (typical)
Input impedance	50 (Ohm)
Input power	6 W (max.)
Protection	Ground DC

Operating specifications

Dimensions	208 x 204 x 28.5 mm
Weight	0.7 kg
Connector	Reverse female TNC
Encasing	Plastic (front) and aluminum (base)
Operating temperature	-20°C to 65°C
Affixation	4 M6 screws and threads in inox steel

• Compatible stands

Articulated stand - Code: 100.034